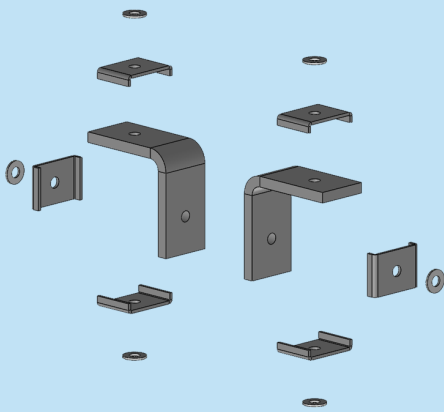


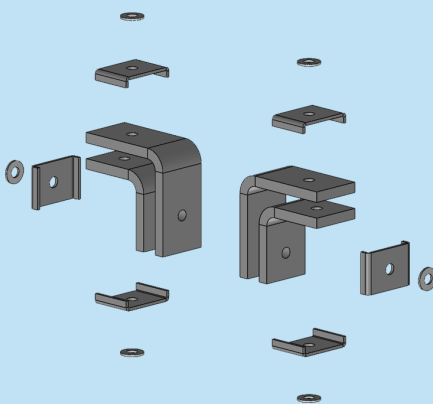
❖ ANGLE BUSBAR CONNECTOR (0 - 800A)

ORDER NO	TYPE	DESCRIPTION	MODULE SIZE	DIMENSIONS (WxH)mm	QTY
861 212	ABC 800A	Angle Busbar Connector	800A	180x50	01 Set



❖ ANGLE BUSBAR CONNECTOR (800 - 1600A)

ORDER NO	TYPE	DESCRIPTION	MODULE SIZE	DIMENSIONS (WxH)mm	QTY
861 214	ABC 1600A	Angle Busbar Connector	1600A	180x50	01 Set



❖ ANGLE BUSBAR CONNECTOR (1600 - 2500A)

ORDER NO	TYPE	DESCRIPTION	MODULE SIZE	DIMENSIONS (WxH)mm	QTY
861 216	ABC 2500A	Angle Busbar Connector	2500A	180x50	01 Set

UPDATE ON	27/04/2022	REPLACE OF	07/02/2022
-----------	------------	------------	------------